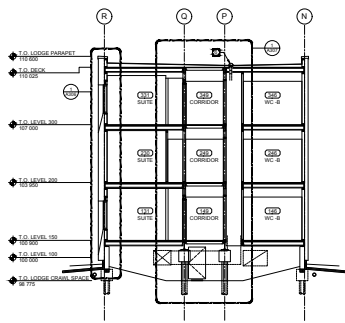


GENERAL NOTES

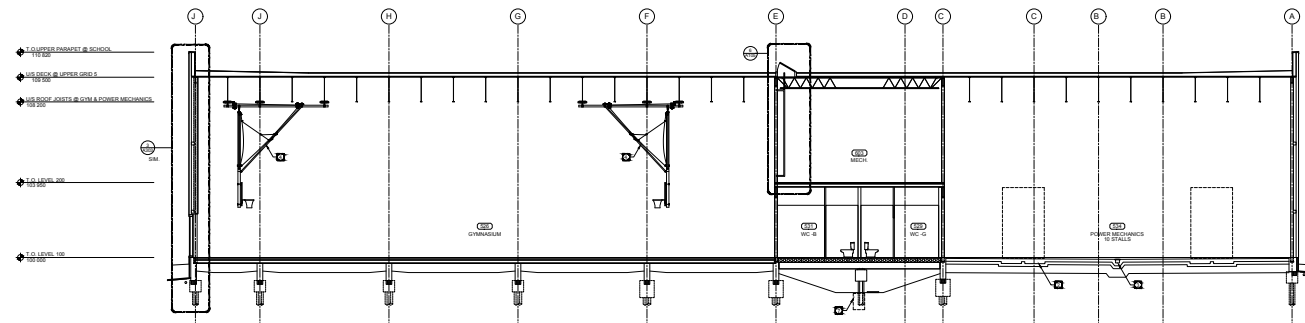
1. COLUMNS IN LINE WITH STUD WALLS TO BE DETAILED AS PER 2012C - 17TH EDITION - 1701
2. BEAMS IN LINE WITH STUD WALLS WHICH ARE TO RUN TO US OF HOLLOW CORE OR STEEL DECK ARE TO BE FURNISHED OUT TO MATCH WALL SEPARATION (SEE TO 3045 - 1711)

KEYED NOTES

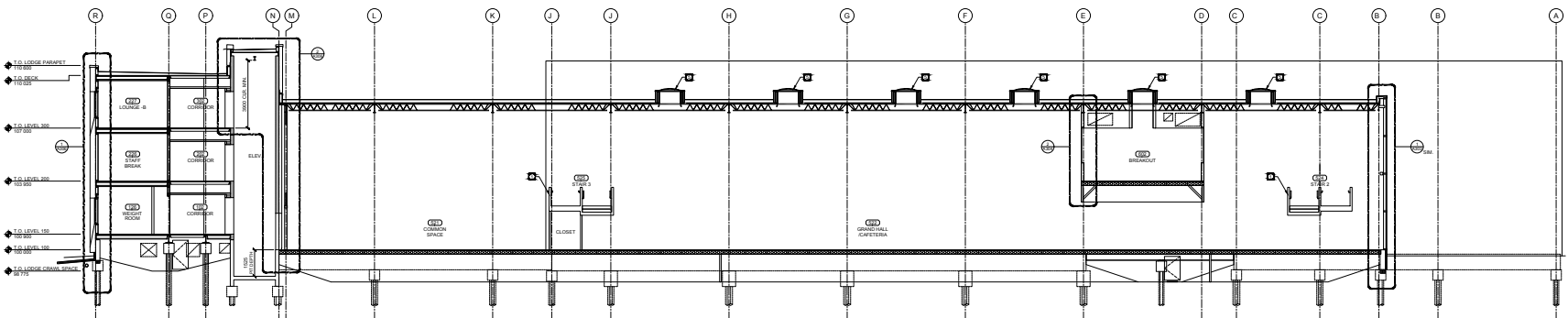
- 1. ROOF PANEL (LUG STEEL STAIR - REFER TO ARCH FLOOR PLANS, SHEET 4410, SPEC. AND STRUCT)
- 2. THICKENED SLAB AT C/LIFT LOCATIONS - REFER TO ARCH FLOOR PLANS AND STRUCT
- 3. TRENCH DRAIN - REFER TO ARCH FLOOR PLANS, MECH. AND STRUCT
- 4. CEILING MOUNTED BASKETBALL BASKETOP - REFER TO SPEC. 4040 AND ARCH
- 5. SCHEDULES - REFER TO 1410S FOR LOCATION AND DET.
- 6. ROOF DRAIN - REFER TO 1410S FOR LOCATION AND DET.
- 7. PUMP PIT - REFER TO 401 AND MECH.



LODGE CROSS SECTION



SCHOOL LONG SECTION - GYM BLOCK



SCHOOL LONG SECTION - GRAND HALL

1 15.10.20 ISSUED FOR CONSTRUCTION
 NO. DATE REVISION / ISSUANCE

Cibinel Architecture Ltd
 402 A STRANDBROOK AVE. WINNIPEG MB. R2L 0J8
 T: 204 498 8570 F: 204 980 8502



SOUTHEAST COLLEGIATE
 SCHOOL + LODGE

BUILDING SECTIONS

